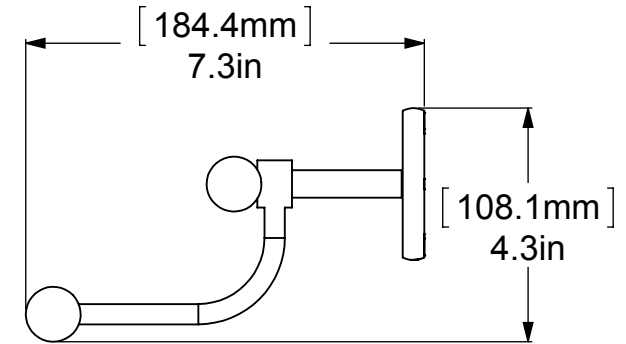
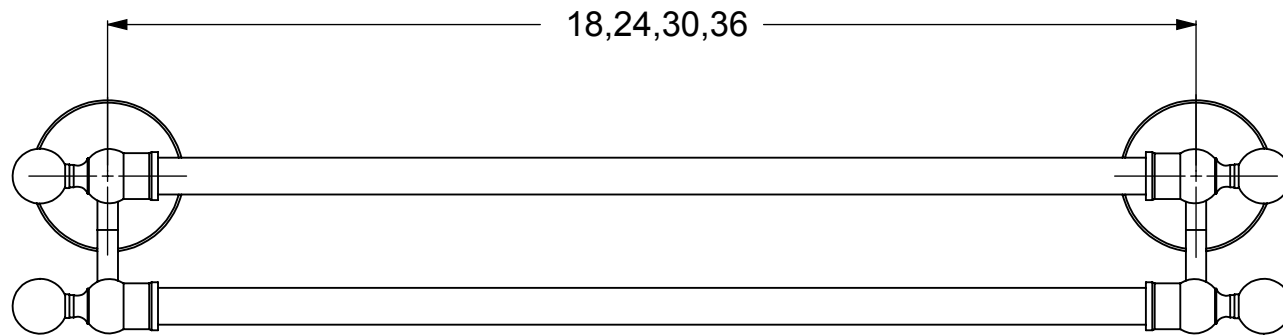
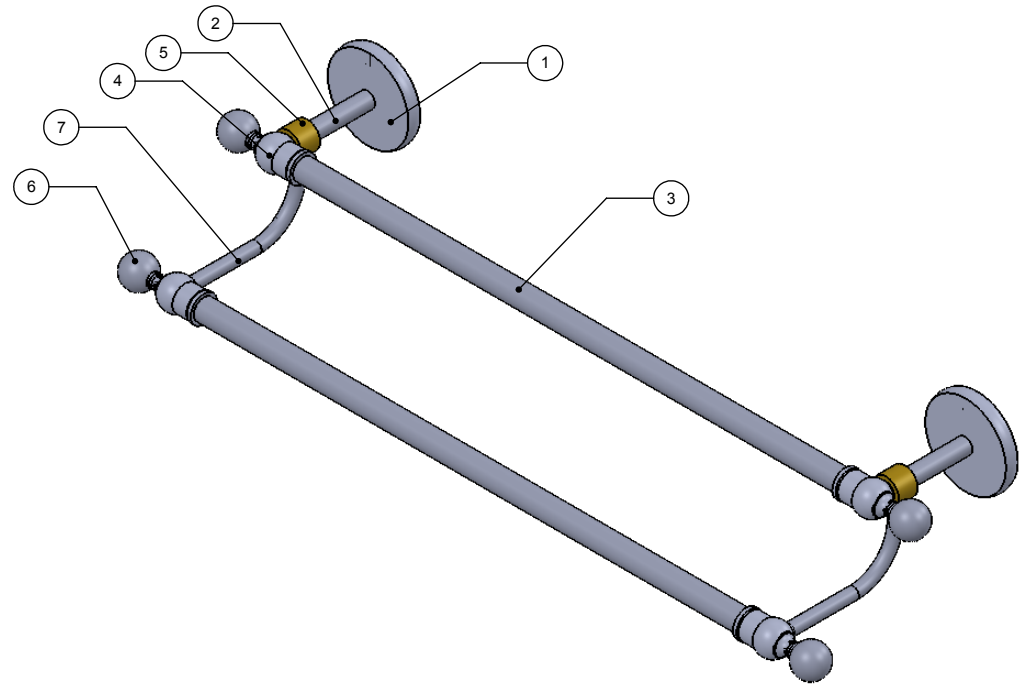


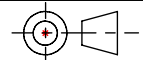
| ITEM NO. | P/N              | Description | QTY. |
|----------|------------------|-------------|------|
| 1        | BPRD             | BACKPLATE   | 2    |
| 2        | TU12-2           | POST        | 2    |
| 3        | TU12-18,24,30,36 | TUBE        | 2    |
| 4        | BKSY-1           | TUBE CAP    | 4    |
| 5        | HBBTT-78         | HUB         | 2    |
| 6        | BL1T-1           | END BALL    | 4    |
| 7        | HKTT             | TUBE        | 2    |




UNLESS OTHERWISE STATED

|      |                     |
|------|---------------------|
| .X   | $\pm .3\text{mm}$   |
| .XX  | $\pm .15\text{mm}$  |
| .XXX | $\pm .008\text{mm}$ |

COPYRIGHT © Allied Brass 2016



THIRD ANGLE PROJECTION

|          |            |     |              |   |             |              |
|----------|------------|-----|--------------|---|-------------|--------------|
| DRAWN    | 12/15/2016 | I.M | MATERIAL:    | BRASS   | FINISH      | TBD          |
| CHECKED  | 12/15/2016 | P.D | DESCRIPTION: |  | QUANTITY    | TBD          |
| APPROVED | 12/15/2016 | R.A | TOWEL BAR    |   | DRAWING No. | REV          |
|          |            |     |              |   | 1072        | 0            |
|          |            |     |              | SCALE   | 1:3.5       | SHEET: 01 A4 |